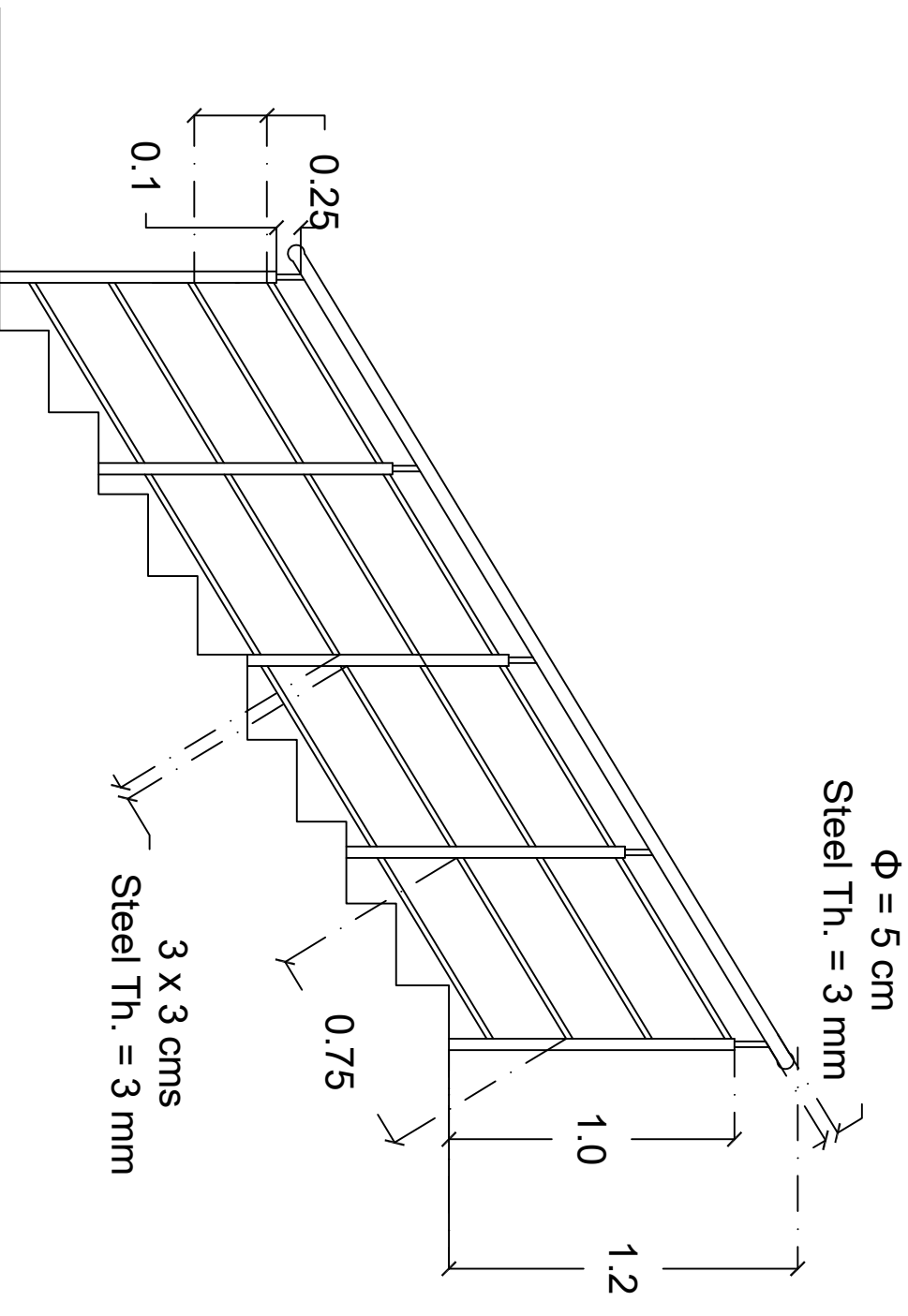


NOTES
 All dimensions are in meters
 Final design will be provided by the field engineer after detailed technical assessment



LEBANESE RED CROSS
DISASTER MANAGEMENT SECTOR
 Shelter & Settlements Program

PROJECT
 Design Specification

NAME
 Hand Rail Standard Design

TITLE
 Side View

DATE	21-2-2023	A4
-------------	-----------	-----------

DRAWING No. VO1